

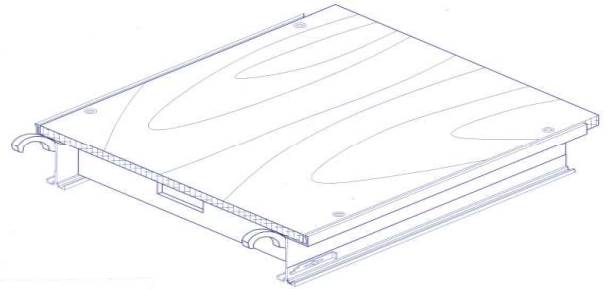


Scaffolding Today Inc

Complete Scaffolding and Accessories

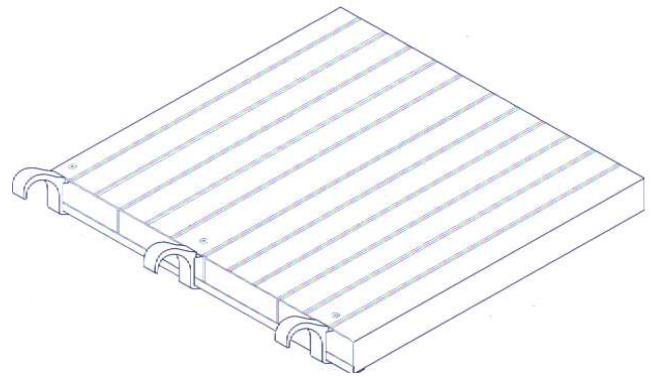
ALUMINUM PLYWOOD DECK

Item No.	Description	Length	Width	Weight
ADP7	7' Aluminum Plywood Deck	7'0"	19"	33 lbs.
ADP8	8' Aluminum Plywood Deck	8'-0"	19"	36 Lbs.
ADP10	10' Aluminum Plywood Deck	10'0"	19"	44 Lbs.



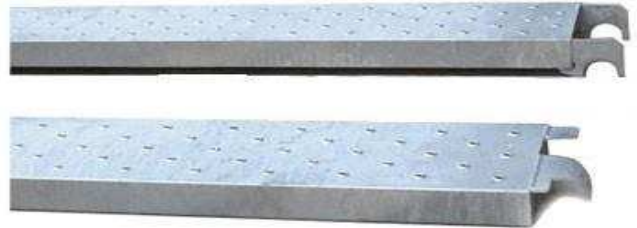
ALUMINUM DECK

Item No.	Description	Length	Width	Weight
AB7	7' Aluminum Deck	7'0"	19"	31 lbs.
AB8	8' Aluminum Deck	8'-0"	19"	33 Lbs.
AB10	10' Aluminum Deck	10'0"	19"	42 Lbs.



STEEL PLANK

Item No.	Description	Length	Width	Weight
SP2	Galvanized Steel Plank	2'0"	9"	10.9 Lbs.
SP3	Galvanized Steel Plank	3'0"	9"	15.1 Lbs.
SP36	Galvanized Steel Plank	3'6"	9"	17.2 Lbs.
SP4	Galvanized Steel Plank	4'0"	9"	19.3 Lbs.
SP5	Galvanized Steel Plank	5'0"	9"	23.5 Lbs.
SP6	Galvanized Steel Plank	6'0"	9"	27.7 Lbs.
SP7	Galvanized Steel Plank	7'0"	9"	31.9 Lbs.
SP8	Galvanized Steel Plank	8'0"	9"	36.1 Lbs.
SP9	Galvanized Steel Plank	9'0"	9"	40.2 Lbs.
SP10	Galvanized Steel Plank	10'0"	9"	44.4 Lbs.



* Different sizes available on request.

WOOD PLANK - OSHA

Item No.	Description	Length	Width	Weight
WP8	DI-65 Pine Osha Plank	8'0"	10"	32 Lbs.
WP10	DI-65 Pine Osha Plank	10'0"	10"	40 Lbs.
WP10	DI-65 Pine Osha Plank	16'0"	10"	64 Lbs.
WL8	Laminated Osha Plank	8'0"	10"	32 Lbs.
WL10	Laminated Osha Plank	10'0"	10"	40 Lbs.
WL16	Laminated Osha Plank	16'0"	10"	64 Lbs.



* Different sizes available on request.